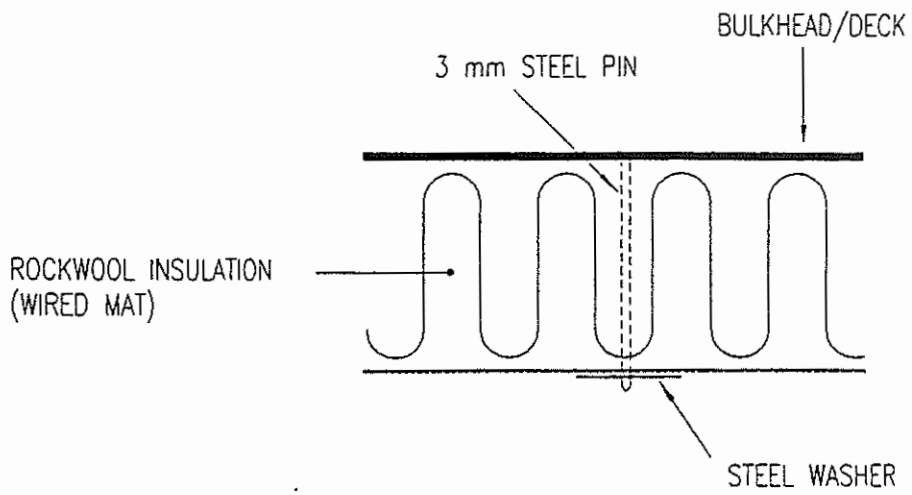
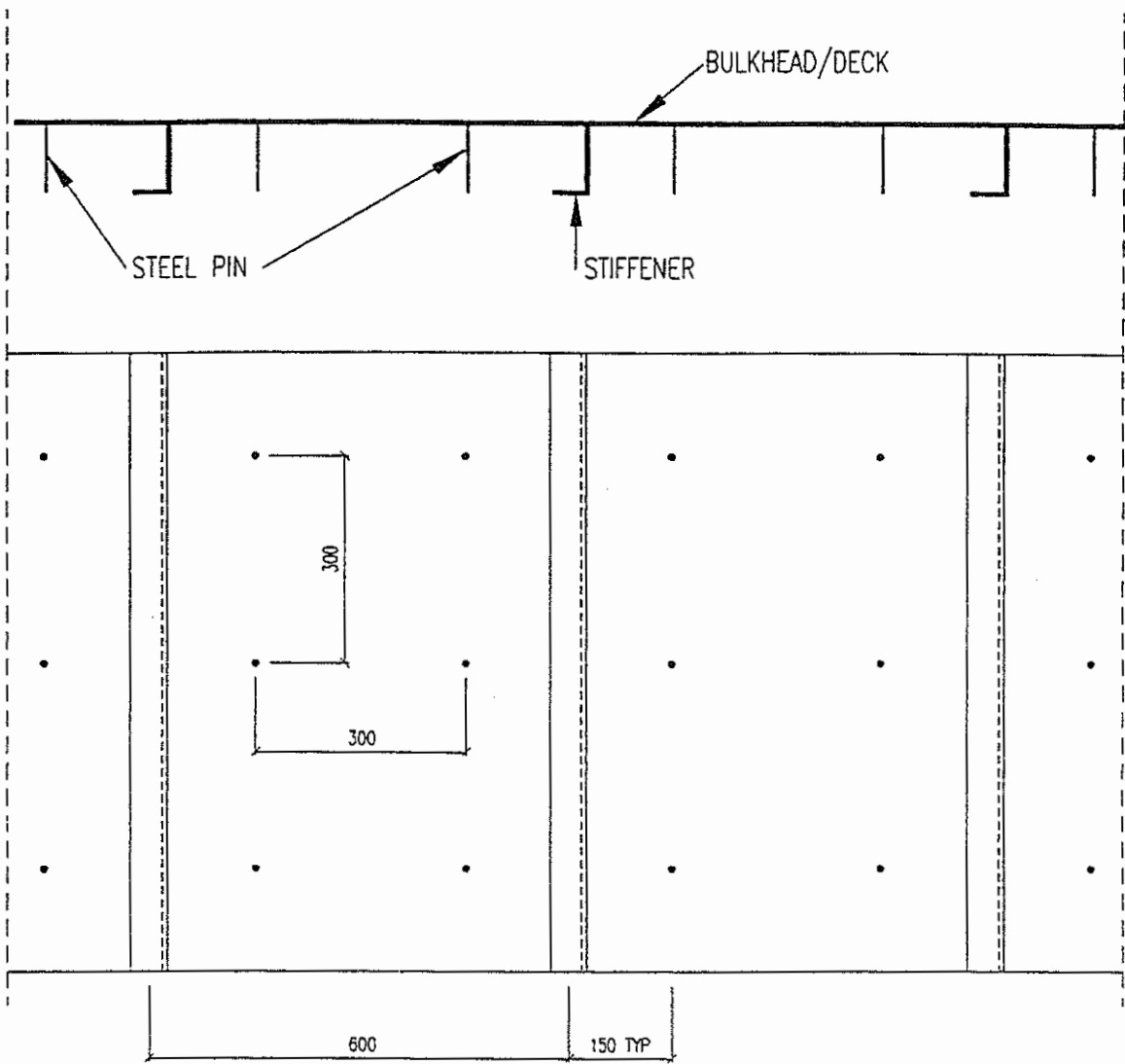

SINTEF
 Civil and Environmental
 Engineering
 NORWEGIAN FIRE RESEARCH LABORATORY
 Project: 22N002.04
 Appendix: II Page 4 of 4
 Date: 2000-12-04
 By: SN

Date: 01.11.200	Constr: TL	Scale: 1:5	A/S Rockwool P.O.Box 4215 Nydalen N-0401 OSLO Phone : +47 22 02 40 00 Fax : +47 22 15 91 78
A-60 RATED BULKHEAD Rockwool Firebatt 110/ Rockwool Firemat 100			
			Rev. nr.



DATE: 16.04.97	CONSTR.: J.S.	APPROVED: T.W.T	A/S Rockwool P.O.Box 4215 Torshov N-0401 OSLO Phone : + 47 22 02 40 00 Fax : + 47 22 15 91 78 : + 47 22 18 25 80
SCALE: NTS	CORRESPONDING DRW. NO.:		
TITLE: A- CLASS RATED DIVISIONS (Rockwool Wired Mats) METHODS OF FASTENING			DRAWING NO.: RW-FP-M008
			REV. 02